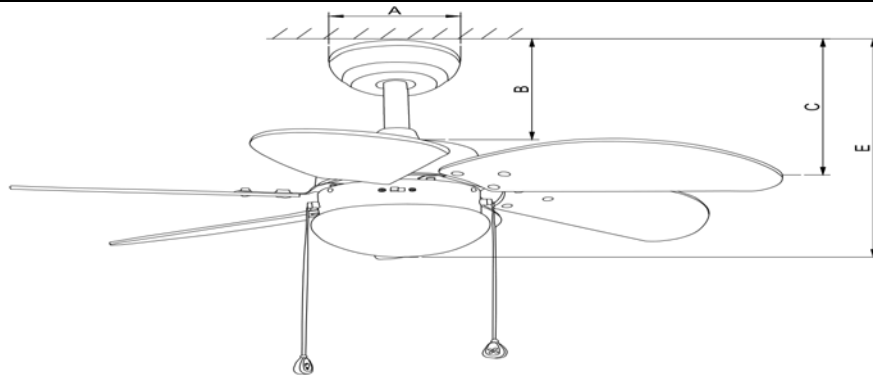


Spec.Description Model : H09



| | | | | | | |
|------------------------------|---------------------------------|--------------------------|------------------|--------------------------------|------------------------------------|----|
| TISI Model: (安規代號) | WF30 | | | Fridgecode 條碼 | 8858786401076 | |
| Code: (型號) | H09 | | | Color: (顏色) | BN (砂鏢) | |
| Specification (規格) | 30 inch/6 Blades /With single L | | | Motor Size 馬達規格 | AC/153*12 | |
| Material (材料) | MDF | | | Switch Category 開關類別 | Pull switch 拉繩開關 | |
| Speed 轉速 | Current (A) 安培 | Wattage (W) 瓦特 | RPM 轉速 | Air Flow (CFM) 風量 | Efficiency (CFM/Wattage) | |
| 1 速 | 0.24 | 52 | 250 | 4800 | 92 | |
| 2 速 | 0.16 | 22 | 190 | 3020 | 138 | |
| 3 速 | 0.12 | 12 | 130 | 2100 | 175 | |
| 4 速 | - | - | - | - | - | |
| 5 速 | - | - | - | - | - | |
| Fan | A | 吊盅直徑 | | | 15 | cm |
| | B | 天花板到上罩高度 | | | 19 | cm |
| | C | 天花板到葉片高度 | | | 32 | cm |
| | D | 天花板到馬達底部高度 | | | - | cm |
| | E | 天花板到玻璃高度 | | | 39.5 | cm |
| Carton | L (長) | 38.4 | | | cm | |
| | W (寬) | 20.4 | | | cm | |
| | H (高) | 24.8 | | | cm | |
| Package | N.W (淨重) | 6.28 | | | KGS | |
| | G.W (毛重) | 6.73 | | | KGS | |