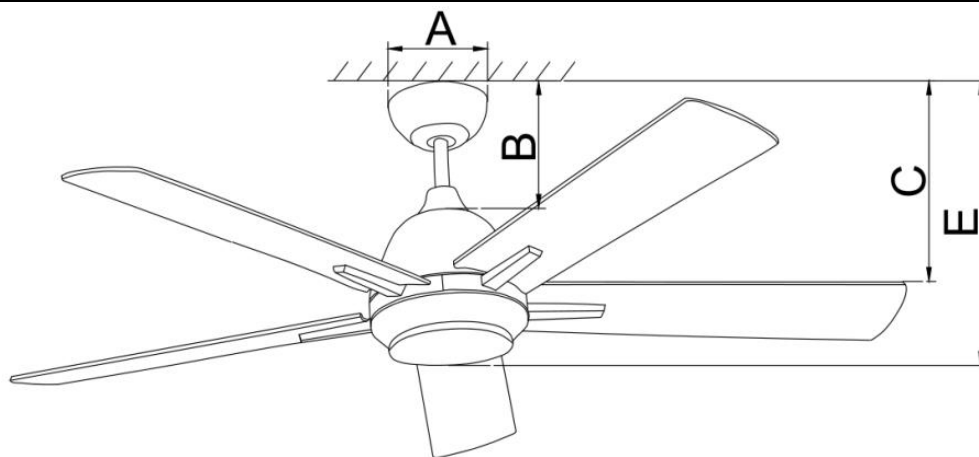


## Spec.Description Model : TB16



| <b>TISI Model:</b><br>(安規代號) | WF552C                |  |           | <b>Fridgecode</b><br>條碼          | TB15# - (未下訂單)<br>TB16# - 8858786402899 |    |
|------------------------------|-----------------------|--|-----------|----------------------------------|---|----|
| <b>Code:</b><br>(型號)         | TB15 TB16             |  |           | <b>Color:</b><br>(顏色)            | TB15# - WHT(啞白)<br>TB16# - ORB-G(ORB+金) |    |
| <b>Specification</b><br>(規格) | 52 inch/5 Blades/No L |  |           | <b>Motor Size</b><br>馬達規格        | AC/153*18                               |    |
| <b>Material</b><br>(材料)      | Plywood               |  |           | <b>Switch Category</b><br>開關類別   | Remote control set<br>WFSP-YJF(2.5+3UF) |    |
| Speed<br>轉速                  | Current (A)<br>安培     | Wattage (W)<br>瓦特                            | RPM<br>轉速 | Energy Information At High Speed |   |    |
|                              |                       |  |           | Air Flow<br>(CFM)<br>風量          | Efficiency<br>(CFM/Wattage)             |    |
| 1 速                          | 0.33                  | 72.5   | 183       | 7875                             | 108                                     |    |
| 2 速                          | 0.27                  | 42.5   | 131       | 5166                             | 121                                     |    |
| 3 速                          | 0.19                  | 21   | 98        | 3383                             | 161                                     |    |
| Fan                          | A                     | 吊盅直徑 Diameter of canopy                      |           |                                  | 15                                      | cm |
|                              | B                     | 天花板到上罩高度 Height of Ceiling to upper cover    |           |                                  | 19                                      | cm |
|                              | C                     | 天花板到葉片高度 Height of Ceiling to blades         |           |                                  | 29                                      | cm |
|                              | D                     | 天花板到馬達底部高度 Height of ceiling to motor bottom |           |                                  | -                                       | cm |
|                              | E                     | 天花板到玻璃高度 Height of ceiling to glass          |           |                                  | 39                                      | cm |
| Carton                       | L (長)                 | 58   |           |                                  | cm                                      |    |
|                              | W (寬)                 | 26.3   |           |                                  | cm                                      |    |
|                              | H (高)                 | 27.3   |           |                                  | cm                                      |    |
| Package                      | N.W(淨重)               | 7.2  |           |                                  | KGS                                     |    |
|                              | G.W(毛重)               | 8.1  |           |                                  | KGS                                     |    |