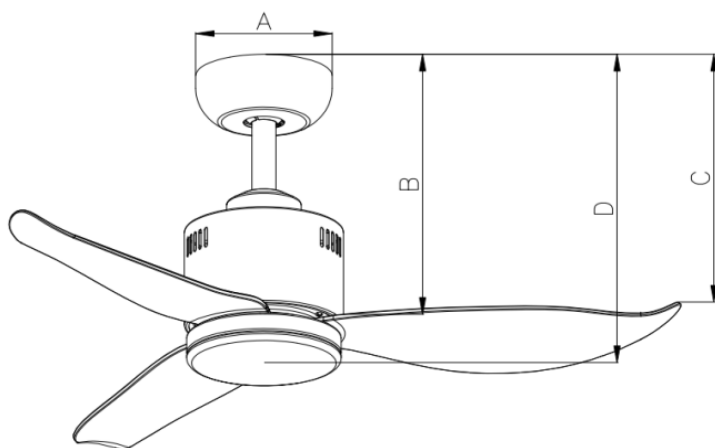
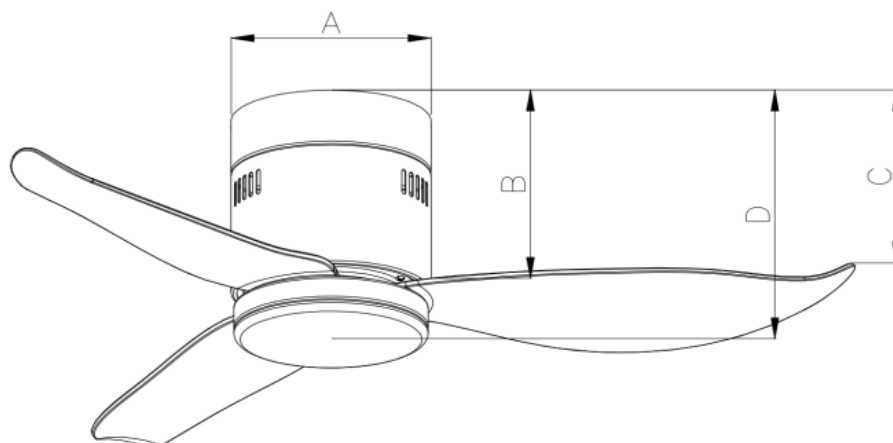


Spec.Description Model : DC37,DC38,DC39,DC40



| | | | | | | |
|------------------------------|--------------------------------|---|------------------|--|--|----|
| TISI Model: (安規代號) | WFDC52 | | | Fridgecode 條碼 | DC37=8858786403438 DC38=8858786403445 DC39=8858786403452 DC40=8858786403476 | |
| Code: (型號) | DC37/DC38/DC39/DC40 | | | Color: (顏色) | DC37=ORB + G金粉 DC38=BN 亮光沙鏢 DC39=WH DC40=MBK平光黑 | |
| Specification (規格) | 32 inch/3 Blades/With single L | | | Motor Size 馬達規格 | 153*15DC | |
| Material (材料) | ABS | | | Switch Category 開關類別 | Remote control 遙控 | |
| Speed 轉速 | Current (A) 安培 | Wattage (W) 瓦特 | RPM 轉速 | Air Flow (CFM) 風量 | Efficiency (CFM/Wattage) | |
| 1 速 | 0.038 | 3.9 | 145 | 1750 | 448 | |
| 2 速 | 0.052 | 5.7 | 174 | 2350 | 412 | |
| 3 速 | 0.075 | 8.1 | 206 | 2870 | 354 | |
| 4 速 | 0.100 | 11.1 | 236 | 3655 | 329 | |
| 5 速 | 0.134 | 14.7 | 264 | 4700 | 319 | |
| 6 速 | 0.174 | 19.8 | 295 | 5650 | 285 | |
| Fan | A | 吊盅直徑 Diameter of canopy | | | 15 | cm |
| | B | 天花板到上罩高度 Height of Ceiling to upper cover | | | 21 | cm |
| | C | 天花板到葉片高度 Height of Ceiling to blades | | | 31 | cm |
| | D | 天花板到馬達底部高度 Height of ceiling to motor bottom | | | 33 | cm |
| | E | 天花板到玻璃高度 Height of ceiling to glass | | | 39.5 | cm |
| Carton | L (長) | 70.5 | | | cm | |
| | W (寬) | 29.5 | | | cm | |
| | H (高) | 22.8 | | | cm | |
| Package | N.W(淨重) | 5.91 | | | KGS | |
| | G.W(毛重) | 6.75 | | | KGS | |

Spec.Description Model : DC37,DC38,DC39,DC40



| | | | | | | |
|------------------------------|--------------------------------|---|------------------|--------------------------------|--|-----|
| TISI Model: (安規代號) | WFDC52 | | | Fridgecode 條碼 | DC37=8858786403438 DC38=8858786403445 DC39=8858786403452 DC40=8858786403476 | |
| Code: (型號) | DC37/DC38/DC39/DC40 | | | Color: (顏色) | DC37=ORB + G金粉 DC38=BN 亮光沙銀 DC39=WH DC40=MBK平光黑 | |
| Specification (規格) | 32 inch/3 Blades/With single L | | | Motor Size 馬達規格 | 153*15DC | |
| Material (材料) | ABS | | | Switch Category 開關類別 | Remote control 遙控 | |
| Speed 轉速 | Current (A) 安培 | Wattage (W) 瓦特 | RPM 轉速 | Air Flow (CFM) 風量 | Efficiency (CFM/Wattage) | |
| 1 速 | 0.038 | 3.9 | 145 | 1750 | 448 | |
| 2 速 | 0.052 | 5.7 | 174 | 2350 | 412 | |
| 3 速 | 0.075 | 8.1 | 206 | 2870 | 354 | |
| 4 速 | 0.100 | 11.1 | 236 | 3655 | 329 | |
| 5 速 | 0.134 | 14.7 | 264 | 4700 | 319 | |
| 6 速 | 0.174 | 19.8 | 295 | 5650 | 285 | |
| Fan | A | 吊盅直徑 Diameter of canopy | | | 17.5 | cm |
| | B | 天花板到上罩高度 Height of Ceiling to upper cover | | | 17.6 | cm |
| | C | 天花板到葉片高度 Height of Ceiling to blades | | | 14.7 | cm |
| | D | 天花板到馬達底部高度 Height of ceiling to motor bottom | | | 18 | cm |
| | E | 天花板到玻璃高度 Height of ceiling to glass | | | 23 | cm |
| Carton | L (長) | 70.5 | | | | cm |
| | W (寬) | 29.5 | | | | cm |
| | H (高) | 22.8 | | | | cm |
| Package | N.W(淨重) | 5.91 | | | | KGS |
| | G.W(毛重) | 6.75 | | | | KGS |